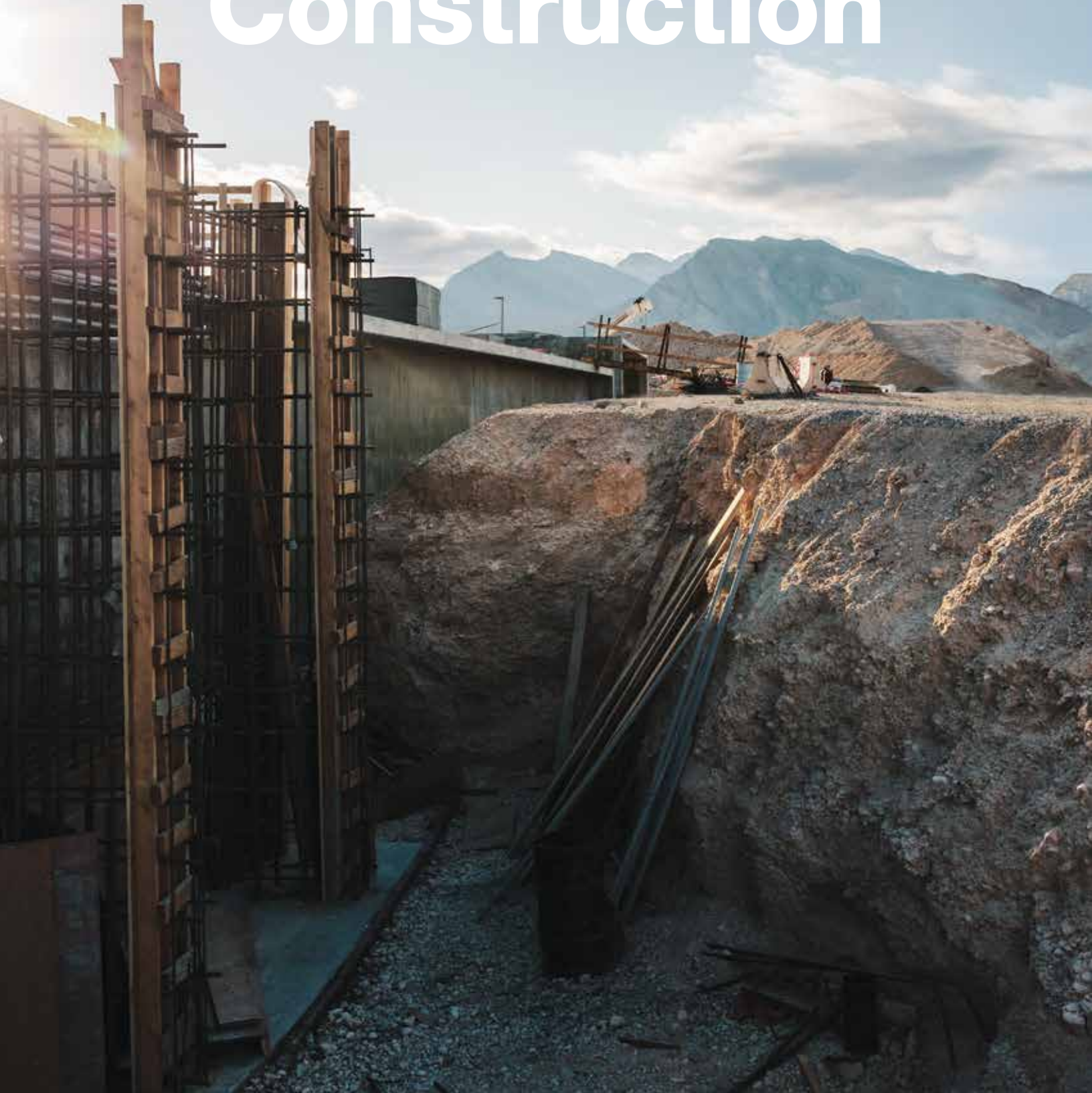


Construction





**OUT HERE,
TRUCKS
ARE BORN.
AND LEGENDS
MADE.**



IN CONSTRUCTION, IT'S ALL OR NOTHING.

Constructed with purpose. Prepared for anything. Mack[®] trucks are designed to match the demands of your most severe sites. Because we didn't just build America, we built a reputation as the leaders in construction.



Concrete Pump

Kick mediocrity to the curb. These trucks come equipped with both the power and precision to successfully complete any concrete job.



Dump

Welcome complete control. Our highly customizable dump trucks put you in the driver's seat to tackle each day on your terms.



Mixer

Push productivity forward. These lightweight trucks move more without sacrificing durability.



Service/Utility

Combine power and the right-sized components, and you have the strength to handle heavy-duty jobs.



Severe Duty

Rest is for the weak. From start to finish, these trucks are prepared to deliver no-compromise performance for the heaviest of your heavy hauls.



Tractor

Any site, any time. Mack tractors are ready to tackle mean streets or no streets.

Granite®



**WE BUILD THE
TRUCKS THAT BUILD
EVERYTHING ELSE.**

Titan by Mack





TerraPro®

These are the leaders of the construction world. The team of trucks that have defined the industry for generations—and continue to push it forward. Engineered with renowned Mack reliability, we deliver the durable, modern day machines that allow you to deliver on the jobsite.



Granite® MHD

Granite

Mack® Granite® is the unyielding foundation of any jobsite. One of the most popular and proven trucks on the road, Granite has the brains to boost your bottom line and the brawn to get the job done right.

MP® engines

The 11-liter MP7® and 13-liter MP8® top out at 405 and 505 HP respectively, giving you the muscle to shoulder heavy loads.

Cornerstone™ chassis

The *Cornerstone* frame system gives you the versatility to choose the right thickness and strength for your demanding applications.

Unimax® axles

These maintenance-free axles give drivers exceptional front wheel cuts, clearance and turning radius.

Optimized driveline angle

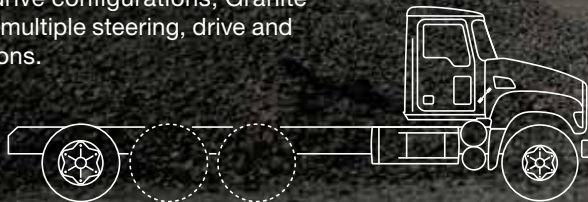
Mack's top-mounted rear axle carriers ensure an optimized driveline angle for longer component life and a smoother operation.

Built for your application

Granite delivers across the board. This truck can be optimized to crush any job.

Axle configurations

Available in axle forward and axle back models with single, tandem and tri-drive configurations, Granite can be customized with multiple steering, drive and auxiliary axle combinations.





Granite Mixer



Mack® Granite® mixers haul heavier loads and keep America moving forward.

Weight savings

Its weight-saving design and productivity-boosting components make for greater payload.

Optimization

We match the exact mix of Mack components to your job.

Safety

Our roll stability advantage and exceptional brakes enhance control over any terrain. Plus, we offer outstanding visibility to make sure your Mack meets no surprises on-site.



Granite Dump



Mack® Granite® dump trucks shrug off the abuse of the jobsite so you can focus on your job.

Weight savings

Lightweight components and options such as lift axles help maximize hauling capacity and productivity.

“D”-shaped fuel tank

Options like the “D”-shaped fuel tank save you critical weight and space.

Custom frame rails

No matter what your load, Mack offers customizable frame rails to fit your construction needs.



Granite MHD

Get nothing but rock-solid performance out of the Mack® Granite® MHD. Ideally configured for shorter runs and lighter-duty cycles, this truck cuts weight without sacrificing durability.

9-liter engine

MHD's lightweight, dependable 9-liter Cummins ISL engine reaches 345 HP with a maximum torque rating of 1,150 lb.-ft.

Cornerstone™ chassis

Built with the MHD in mind, the 7-mm steel alloy frame rail is durable and reliable.

“D”-shaped fuel tank

This unique design allows you to hold more fuel without sacrificing space.

Unimax® axles

Featuring exceptional wheel cuts, front-end swing clearance and turning radius, the 16,000-lb. axle capacity is a great choice for the MHD.

Galvanized steel cab

Mounted on airbags and shocks, our durable galvanized steel cab soaks up the rough stuff, so you ride in comfort.

Axle configurations

Granite MHD is available in axle forward and axle back models with single and tandem axle configurations.





TerraPro

Meet the truck designed for best-in-industry packaging for concrete boom pumps. It has up to 505 HP with great ergonomics and visibility.

MP® engine series

Combine fuel-efficient engines with low-end torque, and you get the MP Engine Series: the heartbeat of the Mack® TerraPro®.

Durable chassis

Built to adapt to customer needs, TerraPro's chassis is optimized to tackle big-time construction jobs.

ClearTech™ emissions control system

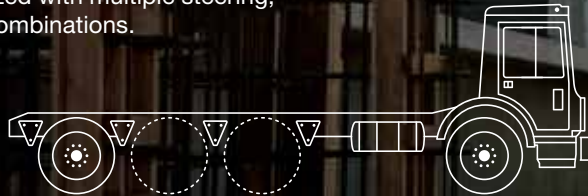
Mack delivers ultra-low emissions while maximizing space on chassis and frame.

Exceptional visibility

The large windshield, low-profile dash, side and rear mirrors and ergonomic seat position provide drivers with superior visibility.

Axle configurations

Available in single, tandem and tri-drive configurations, TerraPro can be customized with multiple steering, drive and auxiliary axle combinations.





Titan by Mack

This colossal feat of engineering refuses to be ignored. The truck houses Mack's largest-ever engine with up to 605 HP, with 2,060 lb.-ft of torque. Because when it comes to Titan, it's all about power.

Cornerstone™ chassis

A strong frame, impressive handling and great ground clearance make this sturdy chassis ideal for punishing off-road applications.

MP10® engine

Made for heavy transport, Titan's engine is in a league of its own boasting a best-in-class torque rating of 2,060 lb.-ft. at 1,200 RPMs.

Application excellence

Titan's high-capacity cooling package is built for handling heavy loads.

Fuel efficiency

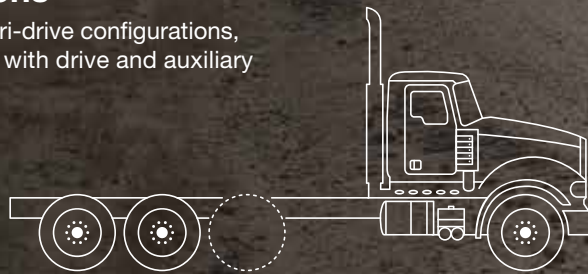
Intelligent fuel injectors, sophisticated software and improved air management systems provide Titan with optimum fuel efficiency.

Decreased downtime

The 30,000-mile oil drain intervals and hassle-free servicing work as hard as you do to reduce costs and maintenance.

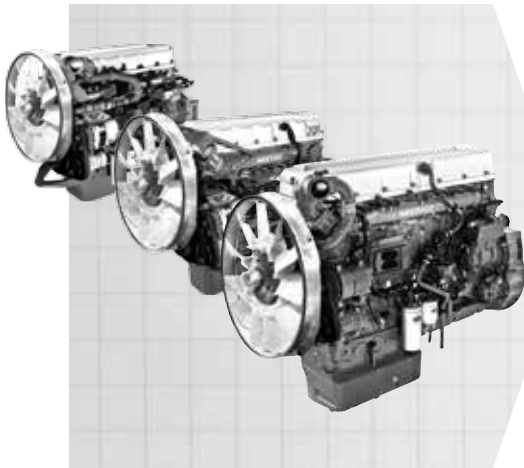
Axle configurations

Available in tandem and tri-drive configurations, Titan can be customized with drive and auxiliary axle combinations.



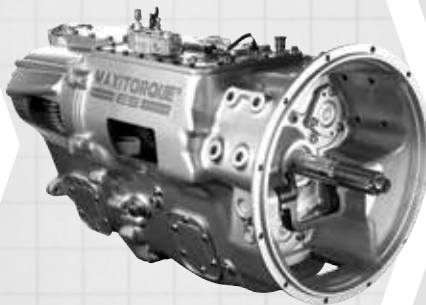


Integrated powertrain? Try integrated everything.



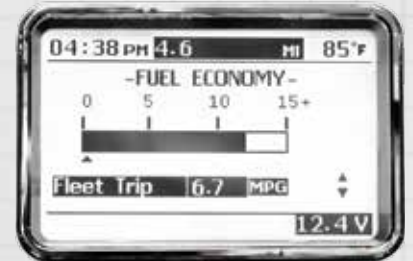
MP® Engine Series

With muscle, torque and great fuel economy, Mack MP engines conquer the workday, mile after mile.



Mack® Transmissions

Mack's transmissions are designed and built to perform at the highest level in the most demanding conditions, just like the rest of the truck.



Mack® Electronics

Featuring proven V-MAC® IV electronics, Mack makes it easier to work the way you want. Effortlessly manage your truck and engine, so you save on fuel and boost your bottom line.

It's one thing to invent the integrated powertrain. We did that more than 100 years ago, and today our revolutionary Pedigree™ Powertrain sets the gold standard.

Now, we've gone ahead and integrated the whole truck operating experience. From financing to service to 24/7 support, Mack has taken uptime and productivity to a whole new level.



Mack® Axles

Mack axles and carriers are engineered to handle the relentless punishment of heavy-duty construction applications.

Mack® Suspensions

We've engineered Mack suspensions for reliability and outstanding performance, no matter where they go. Which, with a Mack truck, can be almost anywhere.

Uptime Solutions

We work to deliver legendary Mack parts and services with our Uptime Solutions. Spend less time in the shop and more time on-site.

The integrated leader

In 1914 we started this journey. A journey toward fully integrated trucking that's become a century of improving everything that makes your Mack a Mack.

Powertrains that pack a punch.

Drive an integrated powertrain from the company that invented it. Equipped with dominant Mack® engines and transmissions, you increase efficiency without sacrificing power.



MACK® *mDRIVE*™ HD

Mack's lightweight *mDRIVE* HD is the 12-speed, two-pedal transmission that comes standard on Granite® trucks so you don't compromise on performance. It's built tough to overpower whatever gets in your way, and it's fully integrated for improved efficiency, increased uptime and lower cost.

MACK® MAXITORQUE® TRANSMISSION

The powerful Mack Maxitorque transmission is available in nine to 18 speeds. It features the industry's only triple-countershaft design and easy shifting for increased durability and smooth gear transitions. Maxitorque has seven PTO positions to help you master your application's demands.



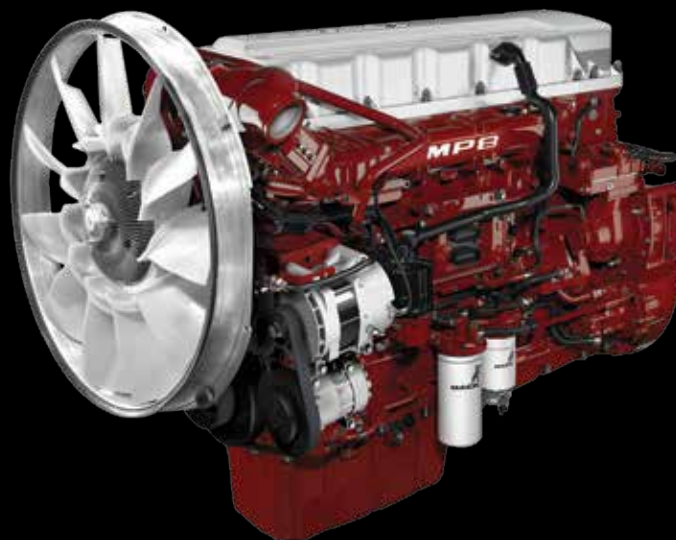


MACK® MP7® ENGINE

The 11-liter MP7 engine is built for optimal fuel-efficiency. Available in Mack® Granite® and TerraPro® models, this lightweight engine has a HP range from 325 HP to 405 HP and torque ratings from 1,200–1,560 lb.-ft.

MACK® MP8® ENGINE

The MP8 blends fuel economy, power and increased uptime. Offered on Granite and TerraPro models, its 13-liter engine has an optimal HP range from 415 HP to 505 HP with torque from 1,570–1,760 lb.-ft.



MACK® MP10® ENGINE

Built exclusively for Titan, the MP10 is Mack's largest-ever engine. It forcibly delivers up to 605 HP and torque ratings of 2,060 lb.-ft. at 1,200 RPMs when you need the strength to move mountains.



mDRIVE™ HD

Weighs less. Carries more.



This heavy-duty automated manual transmission comes standard on Mack Granite® trucks to withstand the wear and tear of your toughest work. The 12-speed, two-pedal *mDRIVE™* HD offers up to 1,920 lb.-ft. of torque and horsepower ratings from 315 to 505 HP. Armed with the transmission that won't weigh you down, you're up for any challenge.

LIGHTER THAN THE COMPETITION

Even though the *mDRIVE* HD is built tough, it won't weigh you down. This transmission is hundreds of pounds less than competitors, so you can ditch the dead weight and increase your payload. With Mack, it takes less to get more done.

ONE-STOP SERVICE

Because *mDRIVE* HD is a Mack transmission, it's serviced in Mack's industry-leading, coast-to-coast dealer network and supported by our comprehensive Uptime Services. Now drivers can forget the hassle of third-party repairs and get back on the job where they belong.

COMPLETE INTEGRATION

As part of Mack's legendary integrated powertrain, *mDRIVE* HD works seamlessly with Mack engines and axles for improved efficiency, increased uptime and lower cost. Because when all the pieces perform together, everything else falls into place.

INCREASED PRODUCTIVITY

The *mDRIVE* HD is automated, so it's easier to work than traditional manual transmissions. Because drivers don't have to worry about shifting gears, they're more rested and ready to finish the job with increased focus and productivity.



Axles and suspensions provide the foundation for Mack's reputation of rugged reliability. They offer increased durability for a smoother ride, because the only thing you should feel on the job is complete control.

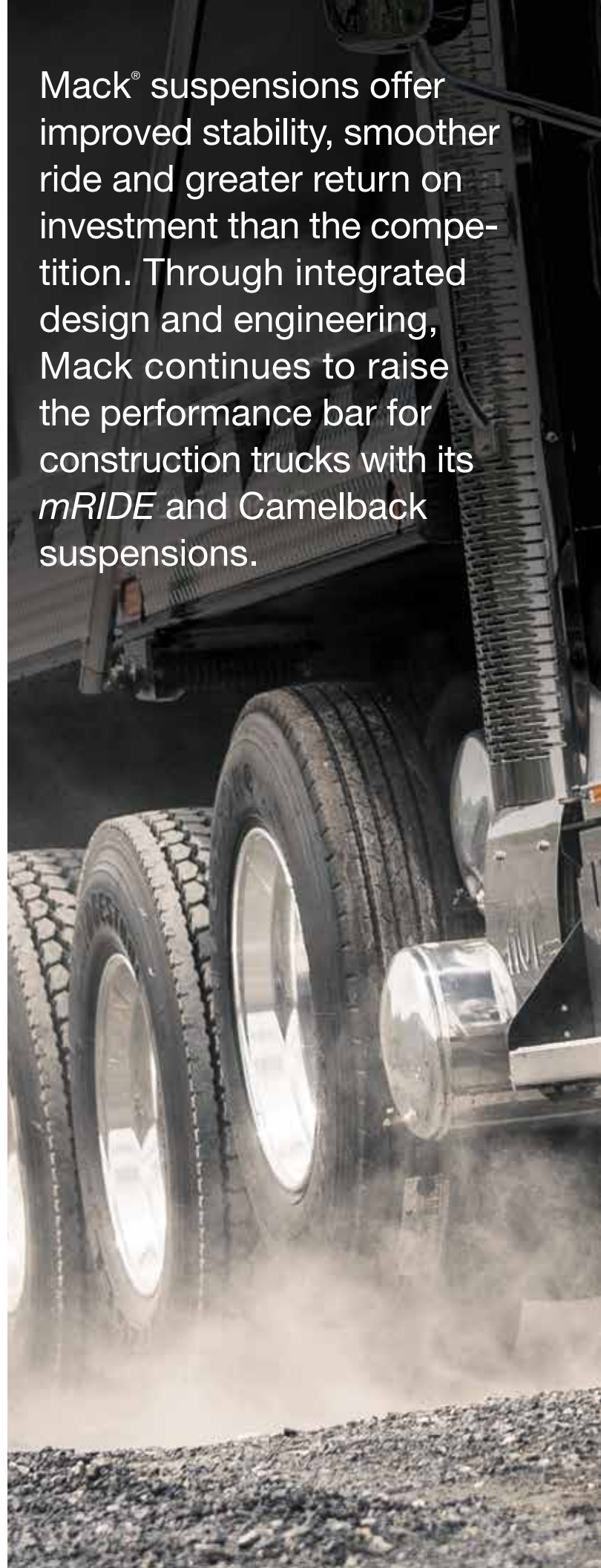
**Rough work
requires a
smooth ride.**



MACK® AXLES

Proprietary Mack axles provide greater articulation on the most demanding construction sites. Our C150/151 top-mounted carriers deliver more efficient power to the wheels with less parasitic loss than with front-mounted carriers.

Mack® suspensions offer improved stability, smoother ride and greater return on investment than the competition. Through integrated design and engineering, Mack continues to raise the performance bar for construction trucks with its *mRIDE* and Camelback suspensions.



MACK® CAMELBACK

The Camelback suspension is built with increased stability to handle the stress of off-road and severe duty trucking. This tried-and-true suspension allows for better steering and reduced tire wear. Camelback is available from 38,000- to 65,000-lb. ratings.



MACK® mRIDE

With *mRIDE*, Mack delivers the next generation in spring suspensions to ease the workload for construction trucks. This suspension's extreme articulation and constant ground contact for all wheels maximizes traction and improves stability. Driver comfort takes front seat in this design, so your ride isn't as rough as your workload. Mack *mRIDE* is available in 40,000-, 46,000- and 52,000-lb. ratings.



**Everything your Mack® needs.
Every place you need it.
America's truck knows
no boundaries.**



NETWORK SUPPORT

Mack Dealer Network

Every Mack is supported by more than 400 authorized dealer and parts and service locations. These dedicated locations have invested in a level of service fit for a Mack truck—ensuring that you are greeted by knowledgeable staff, that you get in and out quickly and that your truck gets fixed right the first time.

Parts Purchasing

Mack makes it easy to get the right parts at the right time. From parts programs for entire fleets to a web-based program that provides 24/7 access to parts, we make sure you have access to the parts you need, when you need them.

Customer Training

When you purchase a truck from Mack, Mack Trucks Academy offers best-in-class training for your shop staff to improve uptime and your bottom line. Choose from instructor-led or online training to get your staff up to speed.



UPTIME SOLUTIONS

GuardDog® Connect

GDC monitors your vehicle's performance the entire time it's operating to enable quick diagnosis of issues, schedule repairs and order parts—all while the truck is still on the road. With GuardDog Connect, you're always connected to a 24/7 network of support staff and repair centers, so you stay on schedule.

OneCall®

Mack OneCall provides 24/7 support for your truck. It combines an unparalleled customer support network with a state-of-the-art Uptime Center to bring the experts you need together under one roof.

ASIST

Mack ASIST is a web-based system that assembles consistent, complete and professional estimates of service recommendations, regardless of which dealer in the Mack Network performs the service. ASIST gives you, the dealer and Uptime Center staff access to all information, getting you back on the road faster.

Diagnostic Tools

Mack's easy-to-use, PC-based diagnostic software gives you access to the information you need. From quick diagnostics to EPA emission data and key metrics for Mack trucks with Mack engines, you can monitor your fleet in real time.



Your truck should come on your terms. Take control with Mack's complete business services.

From financing to premium maintenance packages, Mack has what you need to get, and keep, your truck on the road.

MACK FINANCIAL SERVICES

Mack offers comprehensive financial services that include customized loans, leases and payment plans. You choose the terms, then Mack comes up with the payment plan and coverage that works for you, so you can build your business.

FLEET MANAGEMENT SERVICES

Mack's unique suite of offerings makes fleet management fast and easy. Mack partners with best-in-class software providers and telematics services to deliver the intelligent tools you need to manage your fleet.

MACK LEASING SYSTEM

Mack offers full-service leasing and rental services backed by our growing association of MLS dealer members. Whether you're looking to lease your fleet, rent a truck or outsource your maintenance, Mack has a variety of solutions to meet your needs.

PREMIUM MAINTENANCE PLANS

Mack takes the worry and hassle out of maintenance with premium plans that provide nationwide maintenance coverage at any authorized Mack dealer location. Select a plan and pay upfront so that your truck's interval maintenance is covered—no payment or paperwork required.

WARRANTY AND PROTECTION PLANS

Mack offers the most flexible warranty program in the industry. Whether you need a standard warranty or a premium protection plan, Mack can customize a plan to meet your specific business requirements.

GuardDog® Connect, your uptime ally.

GuardDog Connect is Mack's real-time diagnostic and monitoring service that's always looking out for you wherever you are.

GuardDog provides 24/7 support, so if your truck demands immediate attention, our OneCall® customer center answers. A team of experienced technicians use advanced geofencing satellite technology to measure how long the truck has been on-site and help them identify the exact issue. And if your TerraPro® concrete pumper* or Granite® requires any repairs, OneCall instructs the driver where to take it.

When the truck arrives, the dealer and technicians have the information and parts they need to get right to work. Because when America's toughest jobs demand everything you've got, it helps to have everything you need.



*GuardDog Connect is only available on TerraPro concrete pumper models.

Built tough from the very beginning.

Trucks shouldn't become tough; they should be born tough. That's why Mack is expanding its century-old commitment to support. We offer body builders direct access to the answers they need to engineer dependable trucks from the ground up. Mack's body builder support group is designed to take integration to the next level and increase collaboration between body builders, dealers and customers from the time you order your truck to the moment it arrives.

And once your truck is built, we continue to provide the support you need to conquer any site with Uptime Services led by GuardDog Connect. Backed by Mack, you attack every job with confidence.



Body builder support for any application.



**MACK[®]
TRUCKS
ARE BUILT
TO BUILD.**

©2015 Mack Trucks, Inc. All rights reserved. Mack, Mack and the Bulldog design, Bulldog and all other marks contained herein are registered trademarks of Mack Trucks, Inc. and/or Mack Trucks, Inc. affiliated companies. All other marks contained herein are the property of their respective owners.

BRO-CONSTR-0715-VSA








1-800-922-MACK
MackTrucks.com

 facebook.com/MackTrucks

 twitter.com/MackTrucks

 youtube.com/MackTrucks

 linkedin.com/company/mack-trucks

 plus.google.com/+macktrucks/posts

BORN READY.